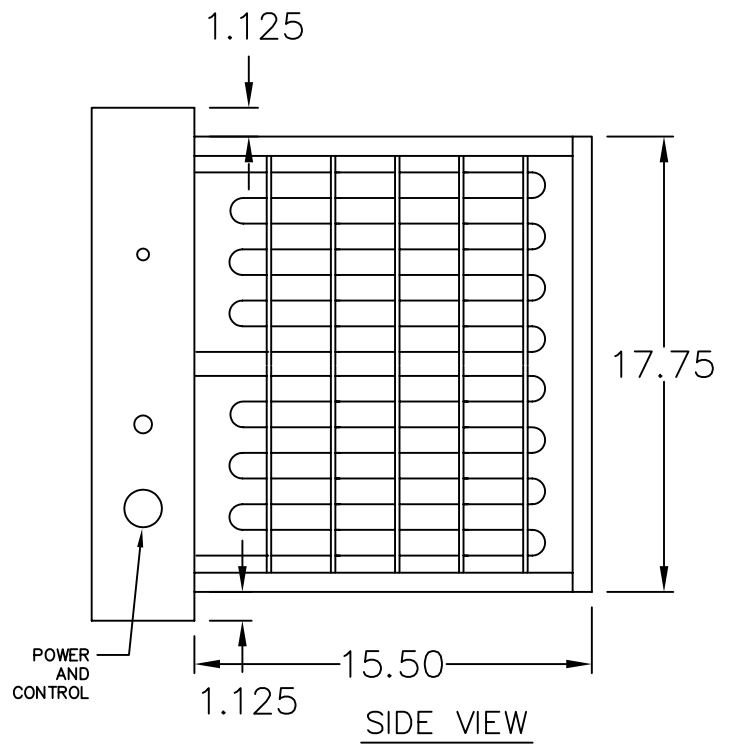
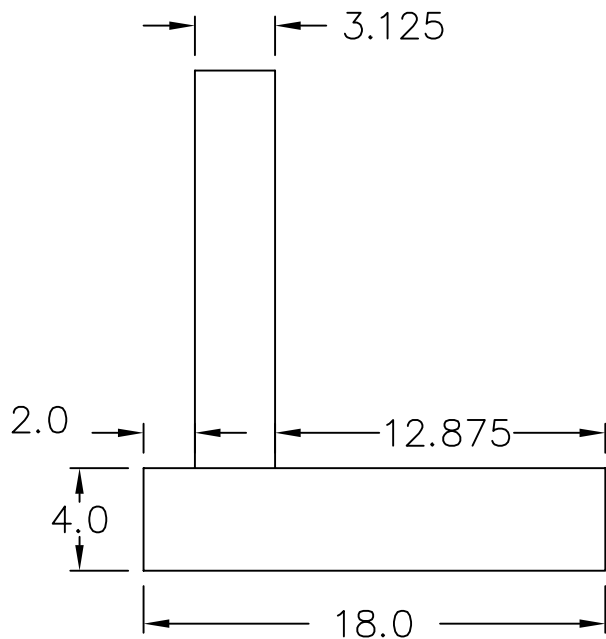


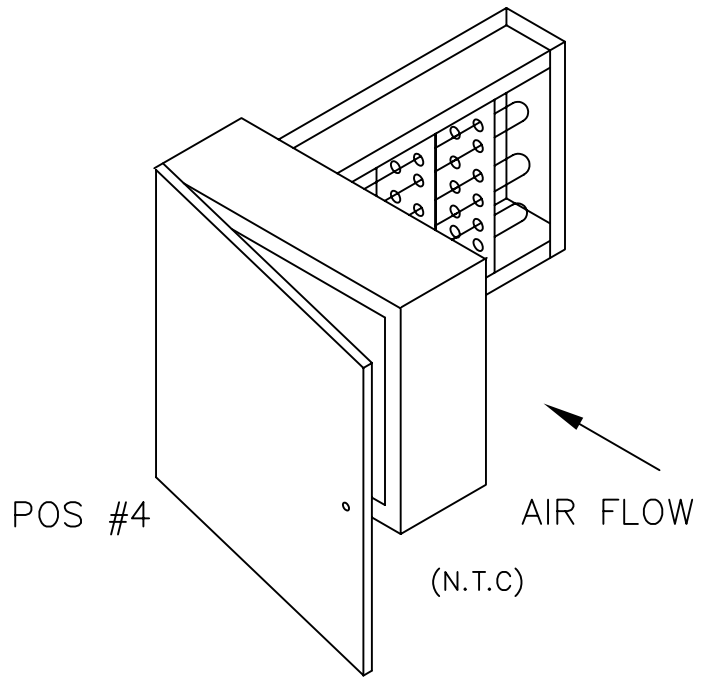
FRONT VIEW



SIDE VIEW



TOP VIEW



WARREN TECHNOLOGY INC.

Aprv: D.GREENOUGH

Dwg: DEC. 24 2003

Date: RUP\EC\EC11 VIEW

MODEL NO. EC-11
 9.9 KW, 208/1
 16"W X 18"H DUCT
 2 STEPS
 WARREN #WEC11RP1001